

ADLIS

**SMART BENCH
SMART CONTAINER
SMART HOME
SMART SECURITY**

WEIYIN

TECHNOLOGY

DATA SHEET: WYB2011



ECOLOGY
Decreasing energy consumption and the CO2 emission

SOLAR ENERGY
Our smart benches are powered by clear solar energy

Led light
Flexible strip light

SENSOR CONTROL
Control capacity of the trash


WIFI INTERNET
Free internet access while charging

AUTOMATIC DOOR
Sensor for control door Open/Close

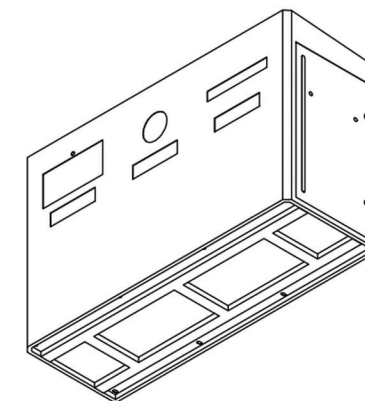
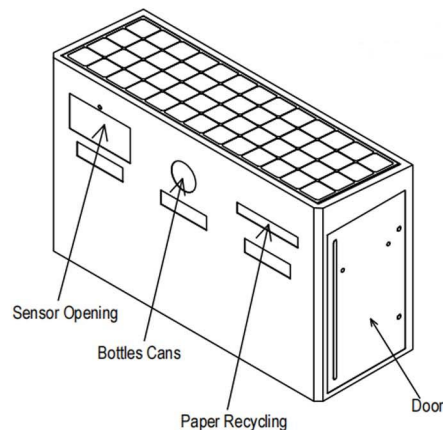
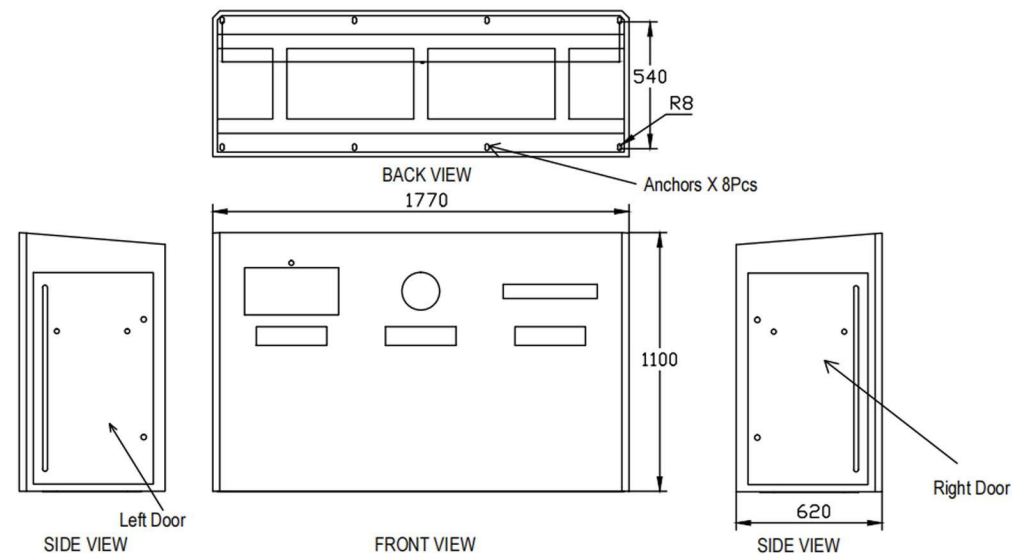
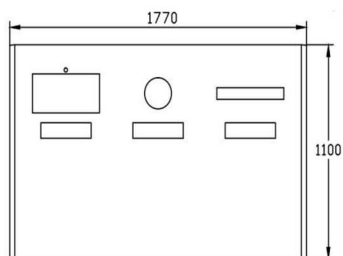
Reduce, reuse, recycle towards zero waste

ADLIS
WEIYIN TECHNOLOGY

Characteristics

Model	WYB2011	Appearance	
Size	L177*W62*H110cm		
N.W.	150kg		
G.W.	170kg		
Certificate	CE ISO		
Function	In sunlight condition, product will charge build-in battery by solar panel, and then provide energy for sensor automatic door, LED lights and WiFi router. LED light is normally green color and changes to red color when the trash inside is full. Optional smart city with our platform.		
Material	Stainless steel #201 / Capacity 100L*3		
Solar panel	Monocrystalline silicon		
Solar power	140W		
AC power	NO		
Controller	MPPT		
Battery type	Li-ion battery/Li-op4 optional		
Working temp.	-20°C-40°C/-20°C-65°C		
Battery capacity	12V/55AH		
Sensor capacity	1		
Sensor automatic door	1		
LED light	LED strip light / capacity control		
Disinfection	UV light		
WiFi router	4G LTE/Speed: Up to 150Mps		
Bluetooth/speaker	5V/12V		
Warranty	1 year		
Battery notice	The controller works well above -40°C , while the working efficiency of battery is getting less and less under 0°C, when -10°C it already doesn't work. Yet after the temperate rises back to over 0°C, it will work again. Therefore, in very cold winter the light doesn't work all the time. In good sunshine, the battery is fully charged in about one hour.		


Size



A. Description and function:

In sunlight condition, product will charge build-in Li-ion battery by solar panel, and charge cell phones by cables simultaneous. Without sunlight condition, product will charge cell phone by its built-in battery.

B. Intended use:

 This product is intended for outdoor use only. Please place it on a flat floor and away from any shade. If in the shade, the solar panel will not function effectively.

C. Package Content:

D. Safety instructions:



ATTENTION!

We recommend that a qualified person use it to assemble and disassemble the product to avoid any risk of product deterioration.

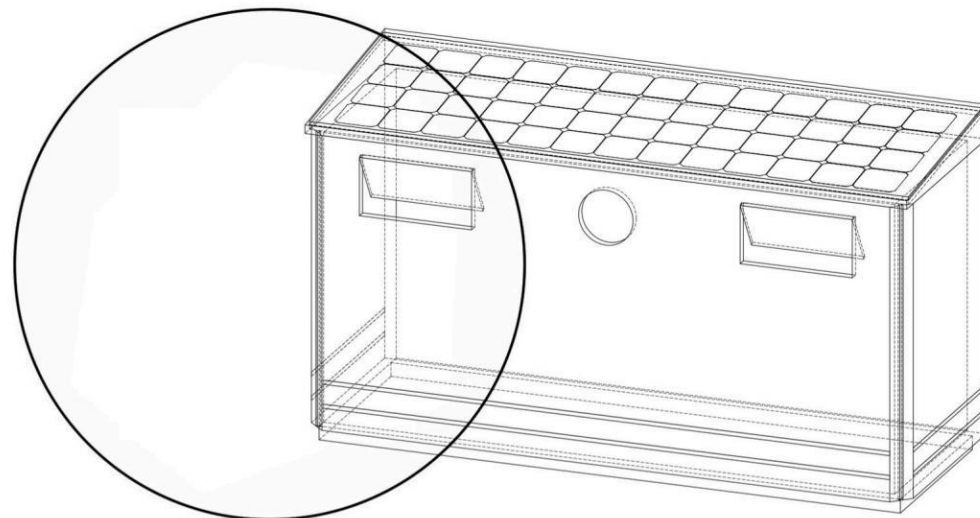
The product is self-service, that is, users do not need help to charge their device.

Read carefully and follow the safety instructions for care, maintenance, storage and transport.

We recommend using the original packaging for transportation to protect the product from dust and moisture.

- We are not responsible for damage to persons or property caused by improper installation or operation not described in this guide. Any alteration and / or modification of the product or its accessories immediately voids the warranty.

E. Connection and operation:



F. Care, maintenance, storage and transport:



WARNING!

We recommend that a qualified person use it to assemble and disassemble the product to avoid any risk of product deterioration.

- We grant a conditional warranty of 2 year for this device from the purchase data.
- The warranty also does not cover accidental damage or vandalism caused to the product.
- The warranty also does not cover the charging cables. We have no control over how users treat cables once the product is installed on your premises; replacement cables can be purchased at an additional cost.
- We are not responsible for damage to persons or property caused by improper installation or operation not described in this guide. Any alteration and / or modification of the product or its accessories immediately voids the warranty.



Brands and Numbers	Property Description	UNITS	UNITS/ CTN	CTNS	G.W.(kgs)	N.W.(kgs)	MEAS (CM)
ADLIS/WEIYIN CORPORATION	WYB2011	1	1	1	170	150	180*65*120
Total		1	1	1	170	150	1.404CBM



REMARKS: ALL PRODUCTS ARE PACKED IN POLYWOOD BOXES.

This packing detail is for 1pc sample, for bulk order the detailed packing details will be provided before shipment.



ADLIS 
WEIYIN





ADLIS

WEIYIN

**We Don't Make The Future,
We Make The Future Better**

**Adlis Smart / Weiyin
Technology Co.,Ltd**

<https://www.adlissmart.com/>
<https://www.adlis.co.il/>
<https://www.adlis.co.il/Marketing/>
<https://www.adlis.co.il/SmartBench/>
<https://www.solarbenchchina.com/>

W E I Y I N

WEIYIN TECH.

Jane Wu

Chief Business Development smart Furniture
sales@solarbenchchina.com
0086 13823126631

ADLIS SMART

Gad Levi

Architect/engineer Smart Container
gad@adlis.co.il
972(0) 548462648

Asaraf Doron

Chief Business & Delop. Israel Market
doron@adlis.co.il
972(0) 544260468

Yoni Osher

Chief Business Development smart Furniture
yoni@adlis.co.il
972(0)523553094

Herman Spak

Commercial Marketing manager
herman@adlis.co.il
972(0) 506927918

Nicolas Senerman

Commercial Marketing Sud America
nicolas@adlis.co.il
972(0) 584967961

Rami Einav

Commercial Director Smart Home
rami@adlis.co.il
972(0) 506206688

A

D

L

I

S

•

ADLIS SMART

Aaron donadey

CEO of Vpl-production Ltd
Adlis Smart Department
aaron@adlis.co.il

WEIYIN TECH.

Chun Sheng Hu

CEO of WEIYIN
008613823601807